

## SPECIFICATIONS

- 10mm male / female

## INSTALLATION

- Valves should always be fitted by a qualified plumber according to BIA G12, NZS 4603 or NZS 4607.
- Valves should be fitted with the hand wheel down to allow foreign particles to fall away when the filter is removed.
- Install at inlet to household system.

## SERVICING

- To remove and clean filter:
  1. Turn handle in clockwise direction to firmly shut off.
  2. Remove hand wheel.
  3. Withdraw filter and clean.
 To reassemble, reverse above procedure noting that cover need only be hand tight. Care should be taken not to damage filter.

## IMPORTANT

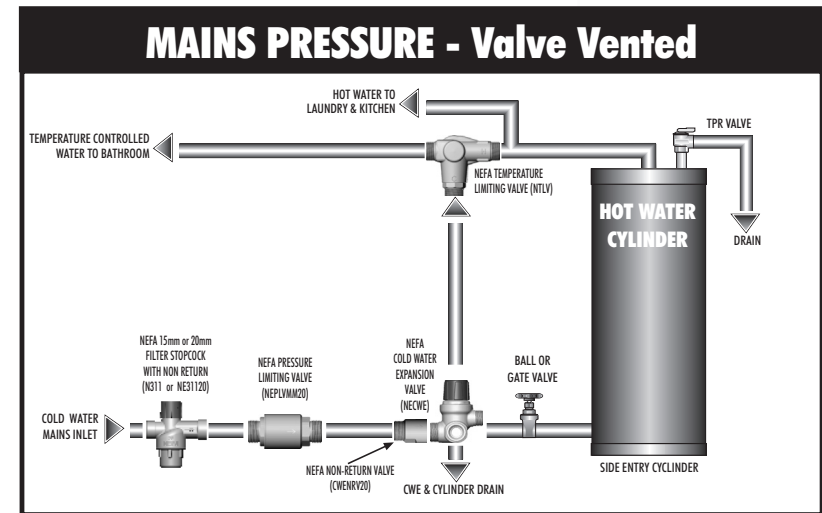
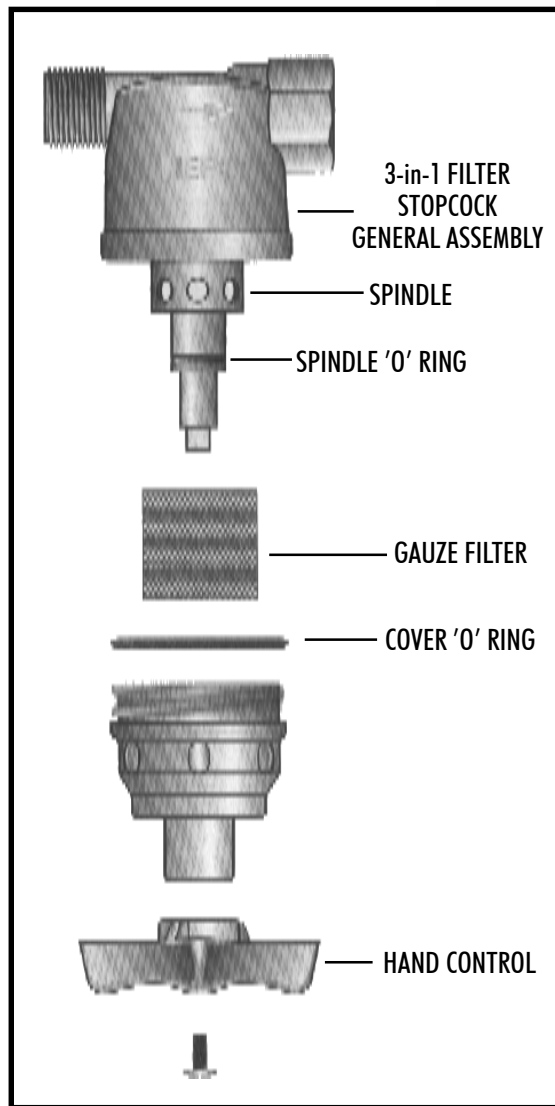
- Recommended to clean out debris every 12 months to ensure full flow.

### Warranty

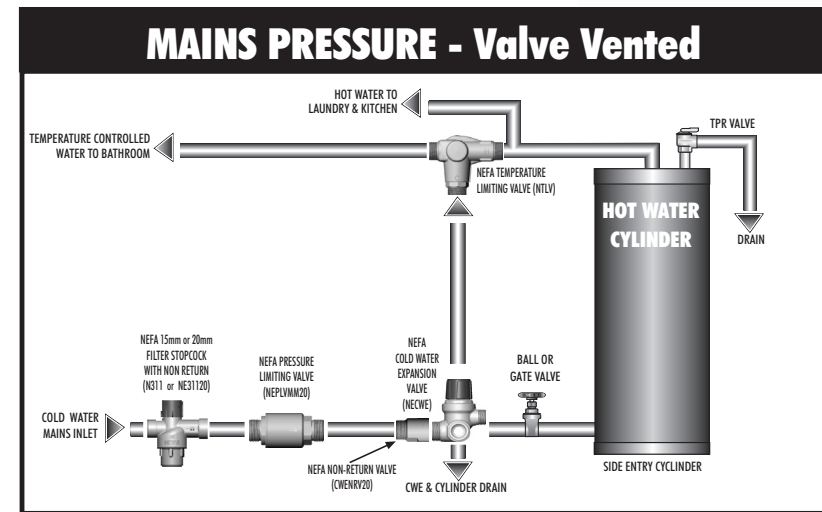
Where Methven valving is purchased for use or on-sale in the context of any business, Methven undertakes to either repair or replace (at its option) that valving, if it is discovered that such valving contains a material defect, which arose in the course of manufacture. This undertaking shall not apply if:

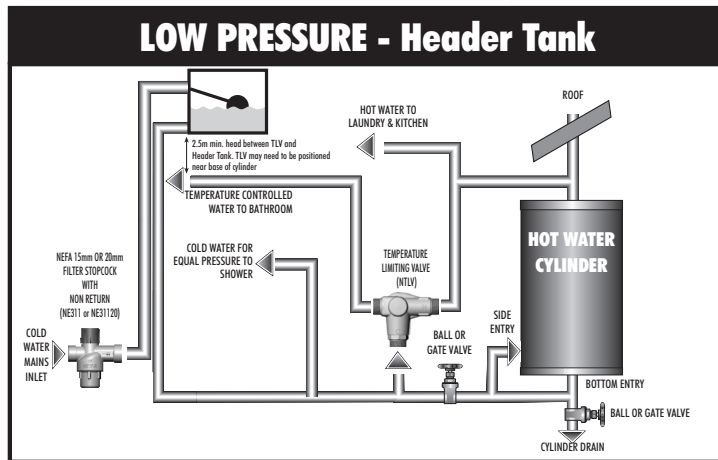
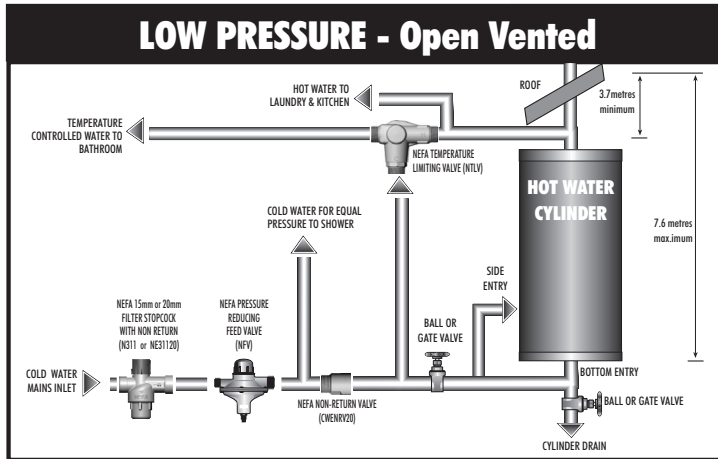
1. The defect is brought to Methven's attention later than 2 years after the date of purchase, where the defect relates to washers, "O" rings and powder coating, or 5 years where the defect relates to any other valving componentry. Proof of purchase will be required.
2. There is a failure by any person to follow Methven's installation instructions or the valving is used other than in accordance with Methven's specifications.
3. Evidence cannot be produced which confirms that the relevant valving was purchased from a Methven authorised distributor.
4. Repair work is performed on the relevant valving by a person other than Methven, its authorised service agents or any plumber who has no received authorisation prior to proceeding with the work.

The above undertaking from Methven shall also apply to any purchaser of Methven valving who is a "Consumer" under the Consumer Guarantees Act 1993, in addition to any other right or remedy which such person may have under that Act. Methven shall in no way be liable to the purchaser or user of any valving, for any loss, damage (direct, indirect or consequential), cost or expense suffered or incurred by that person, otherwise than as provided in the above provisions, or as provided under the Consumer Guarantees Act 1993.



Diagrams for illustrative purposes only





Diagrams for illustrative purposes only



- Prevents damage to water system by filtering foreign particles.
- Filter can be cleaned without shutting off any other valve.
- 40 Micron mesh stainless steel filter ensures efficient capture of foreign particles.
- Built-in non return function prevents back-flow.

**15mm 3-IN-1 FILTER**

**STOPCOCK AND**

**NON-RETURN VALVE**